

PAMS Technical Documentation

Chapter 8

TFE/K-2 NON-SERVICEABLE ACCESSORIES

TFE/K-2 NON-SERVICEABLE ACCESSORIES

Contents

Power Supply ACW-2	Page 8-4
Product Codes	Page 8-4
Specification	Page 8-4
View of Power Supply ACW-2	Page 8-4
Back-up Battery BBW-1	Page 8-5
Product Codes	Page 8-5
Specification	Page 8-5
View of Back-up Battery BBW-1	Page 8-5
CAP Adapter AFW-1	Page 8-6
Product Code	Page 8-6
View of AFW-1	Page 8-6

List of Non-Serviceable Accessories

Power Supply ACW-2

Plug the charger into a wall outlet and connect the connector to the bottom of your phone.

Operating within voltage range 187 V...264 V AC 50/60 Hz., it is practically current independent in normal office and household use.

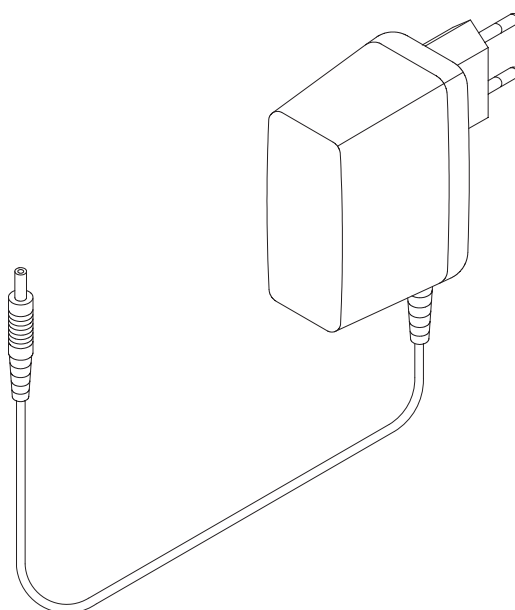
Product Codes

Power Supply ACW-2: (Euro plug)	0675123
Power Supply ACW-2P: (US plug)	0675135
Power Supply ACW-2X: (UK plug)	0675136

Specification

Dimensions (h x w x d):	75 x 29 x 50 mm (without plug)
Weight:	< 150 g
Output cable length:	1500 mm \pm 200 mm
Output connectors:	5.5/2.1 mm standard d.c. plug
Protection:	output current limiting max. 1.5 A output voltage limiting max. 6.9 V
Input voltage:	187 to 264 V

View of Power Supply ACW-2



Back-up Battery BBW-1

Connect the Power Supply ACW-2 to the Back-up Battery BBW-1, and the Back-up Battery BBW-1 to the phone.

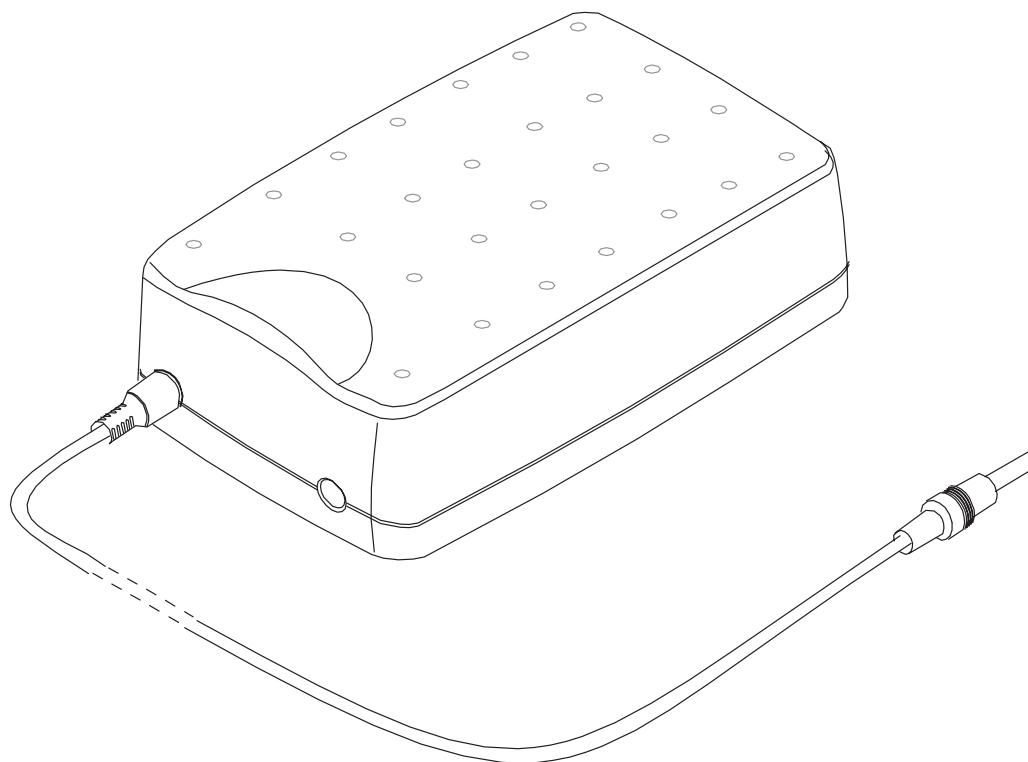
Product Codes

Back-up Battery BBW-1: *0670168*

Specification

Dimensions (h x w x d):	<i>155 x 100 x 52 mm (without plug)</i>
Weight:	<i>875 g</i>
Output cable length:	<i>1500 mm</i>
Type:	<i>6V/3Ah sealed lead-acid</i>
Output connectors:	<i>5.5/2.1 mm standard d.c. plug</i>
Protection:	<i>fuse 3.15 A</i>
Output voltage(nom):	<i>6.8 V</i>
Output current(nom):	<i>1.5 A</i>

View of Back-up Battery BBW-1



CAP Adapter AFW-1

AFW-1 is used to connect the DAU-4S MBUS cable to the transceiver.

Product Code

CAP Adapter AFW-1:

0750098

View of AFW-1

